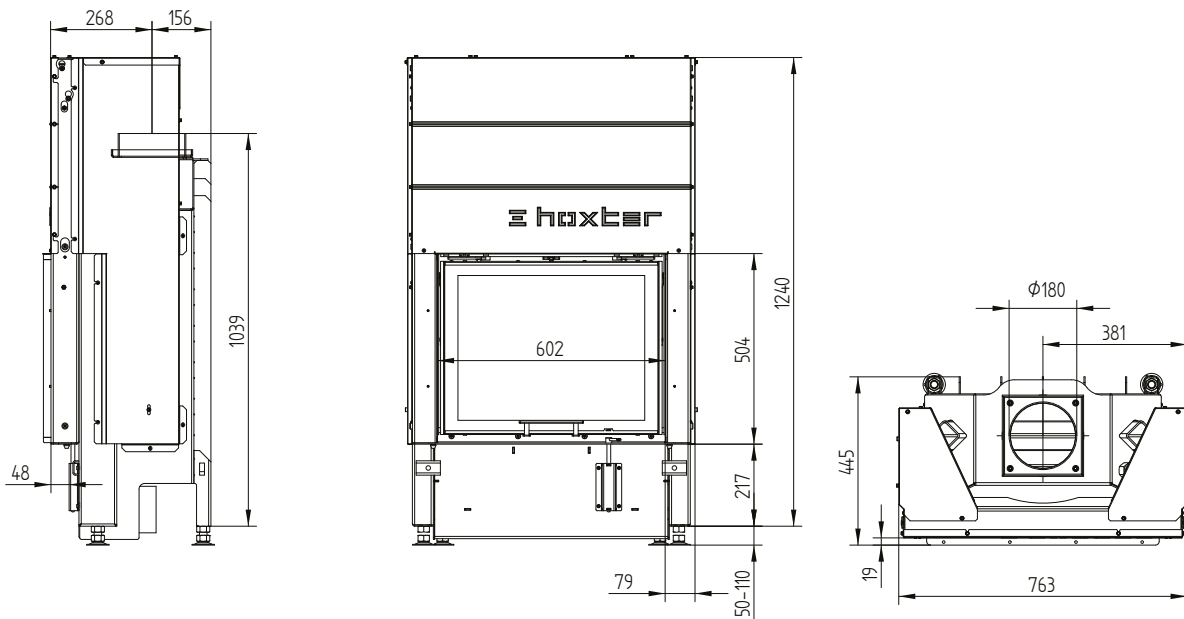
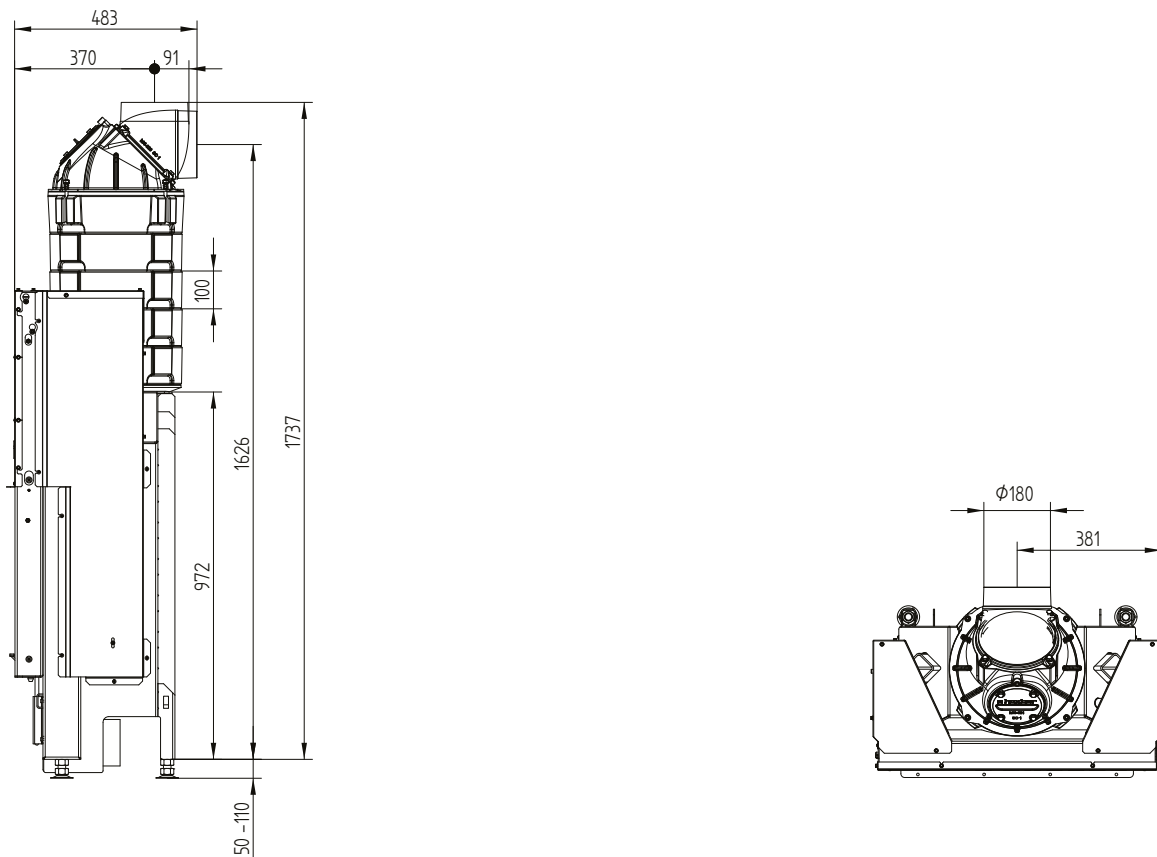


Technical data	operation when directly connected to chimney	operation when connected accumulation mass	
Energy label	A	A	A
Operating data			
Nominal heat power	6 kW	----	----
Efficiency	> 80 %	----	----
Consumption of wood	2 kg/h	3,5 kg	3,1 kg
Total heat output of the burning chamber	----	14 kW	12 kW
Average heat output / heat accumulation time ⁵	----	1,4 kW / 8 h	1,2 kW / 8 h
Mass flow of flue gas	6,9 g/s	12 g/s	11 g/s
Required chimney pressure	12 Pa	12 Pa	15 Pa
Required amount of combustion air	20 m ³ /h	30 m ³ /h	30 m ³ /h
Average flue gas temperature			
on the output	234 °C	370 °C	350 °C
behind 2,5 m of ceramic accumulation system KMS 240 ¹	----	220 °C	----
behind S-accumulation rings (5x S-acc. ring Ø345mm)	----	----	230 °C
Heat distribution			
fireplace insert	70–80 %	35 %	35 %
door glass (single / double)	30 / 20 %	30 / 20 %	30 / 20 %
additional accumulation mass	----	35–45 %	35–45 %
Information for ventilated builds			
Minimal grill area supply / outgoing	700 / 800 cm ²	700 / 800 cm ²	700 / 800 cm ²
Minimum distance from insulated areas / floor	50 / 0 mm	50 / 0 mm	
Reference insulation ² ceiling / back wall / side wall / floor	120 / 70 / 70 / 0 mm	120 / 70 / 70 / 0 mm	
Calciumsilicate insulation ³ ceiling / back wall / side wall / floor	80 / 50 / 50 / 0 mm	80 / 50 / 50 / 0 mm	
Information for non-ventilated builds (closed grills)			
Minimum radiant area ⁴	suitable	3 m ²	
Minimum distance from insulated areas / floor	50 / 20 mm	50 / 20 mm	
Reference insulation ² ceiling / back wall / side wall / floor	160 / 90 / 90 / 20 mm	160 / 90 / 90 / 20 mm	
Calciumsilicate insulation ³ ceiling / back wall / side wall / floor	120 / 70 / 70 / 20 mm	120 / 70 / 70 / 20 mm	
General technical information			
Total weight / lining weight	circa 240 / 70 kg	circa 240 / 70 kg	
Burning chamber dimensions (width x depth)	520 x 210 mm		
Combustion air connection	Ø 125 mm		
Use in non-ventilated accumulation builds according to craft rules	suitable		
Tested according to	EN 13229		
Meets values	1. BImSchV (Stufe2), 15a BvG		

HAKA 60/50Sh small instalation dimensions liftdoor



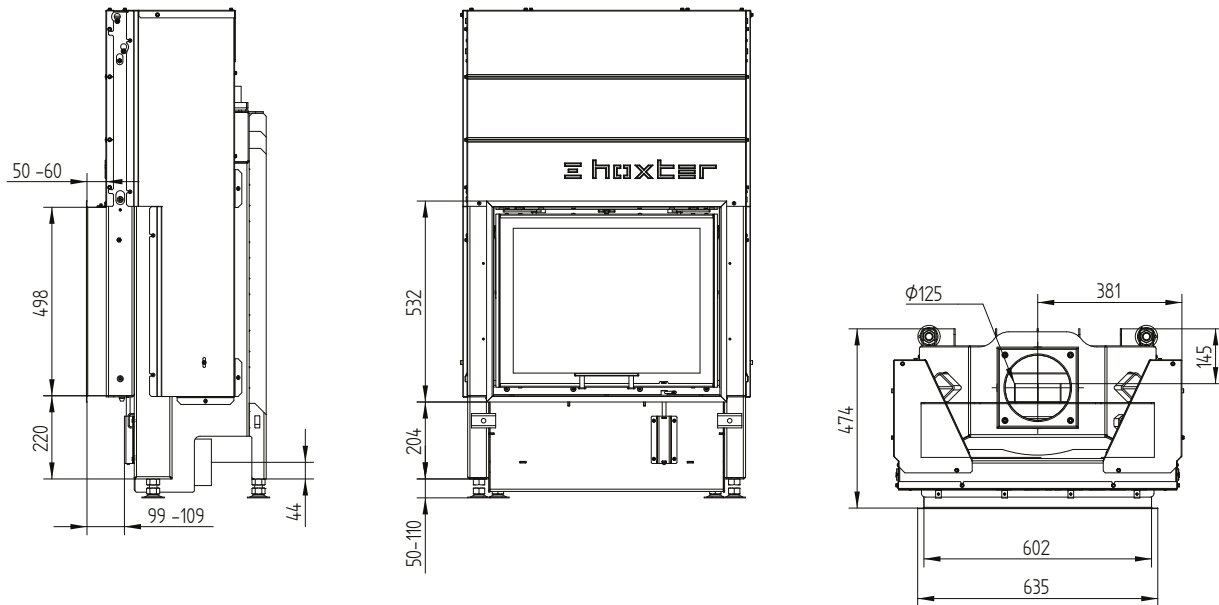
HAKA 60/50Sh small instalation dimensions liftdoor S-accumulation set



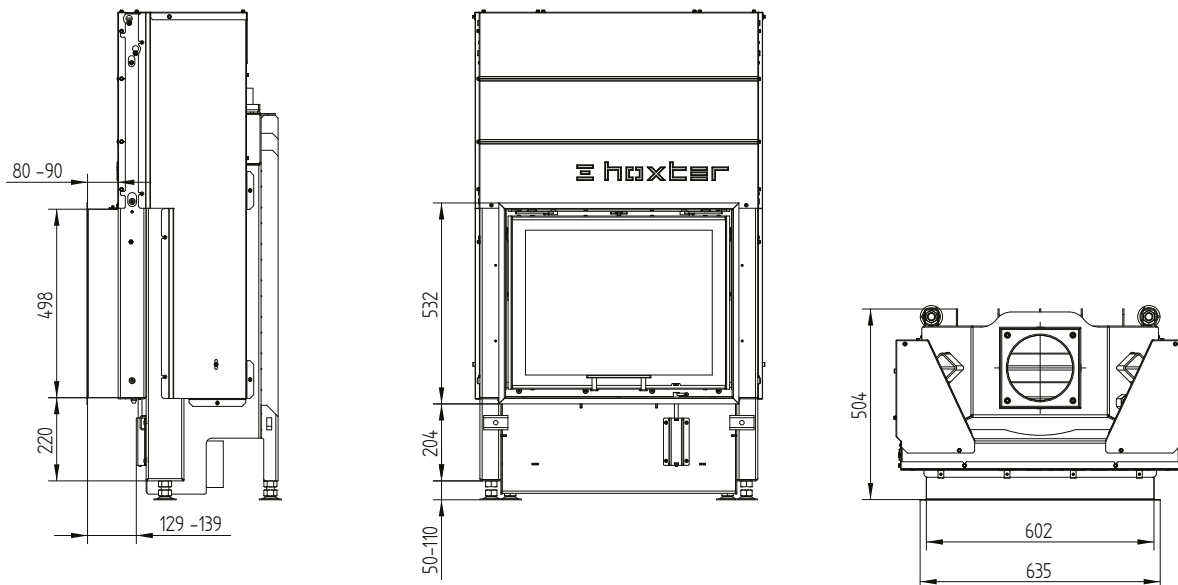
HAKA 60/50Sh

Technical data
Version 09/2023

Cover frame 60/50h liftdoor 4sides 50 mm 1 x 90° / air inlet



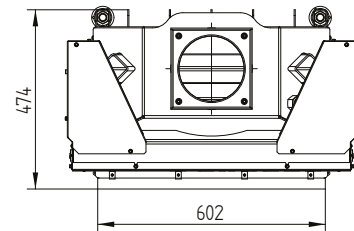
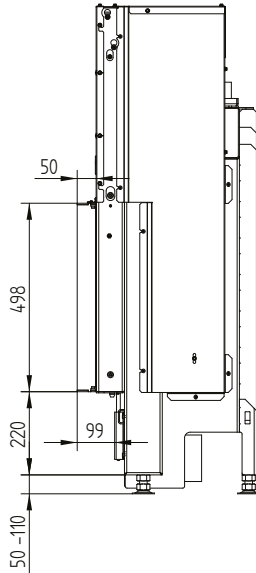
Cover frame 60/50h liftdoor 4sides 80 mm 1 x 90°



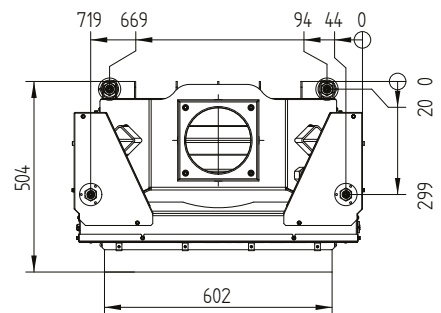
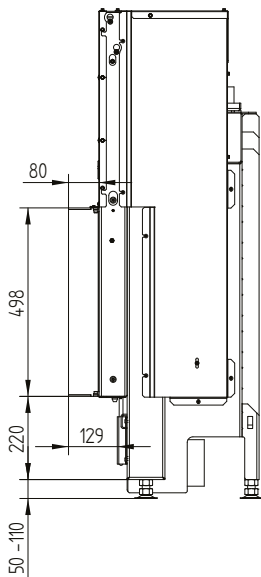
HAKA 60/50Sh

Technical data
Version 09/2023

Build-on frame 60/50h liftdoor 4sides 50 mm



Build-on frame 60/50h liftdoor 4sides 80 mm / feet



HAKA 60/50Sh

Technical data
Version 09/2023

Build-on frame 60/50h liftdoor 3sides 80 mm

